

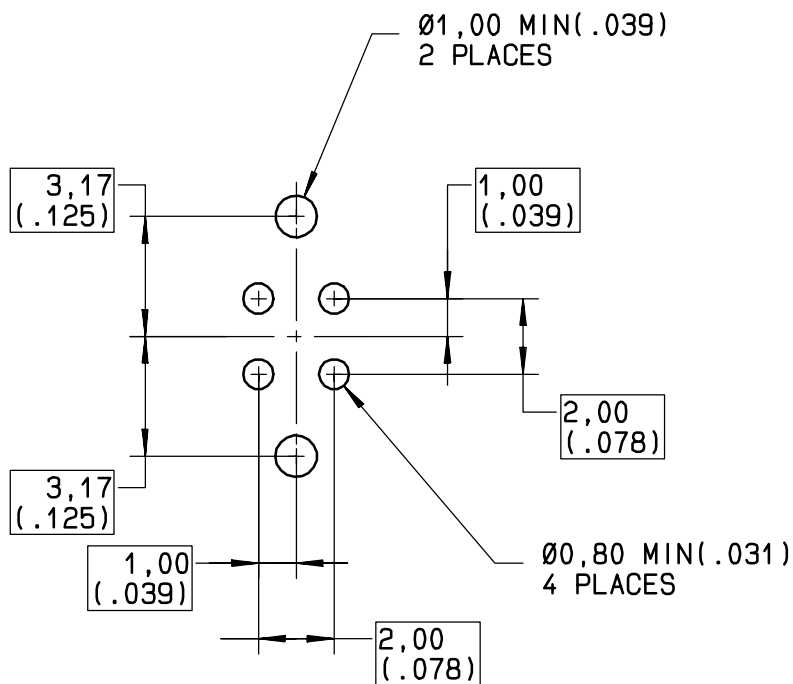
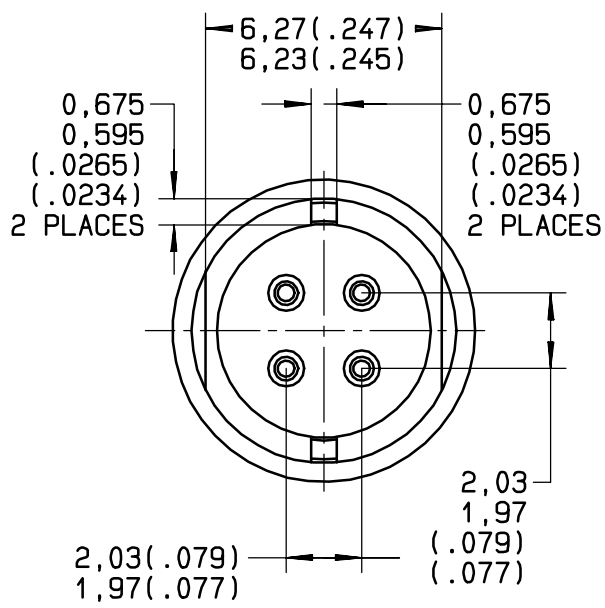
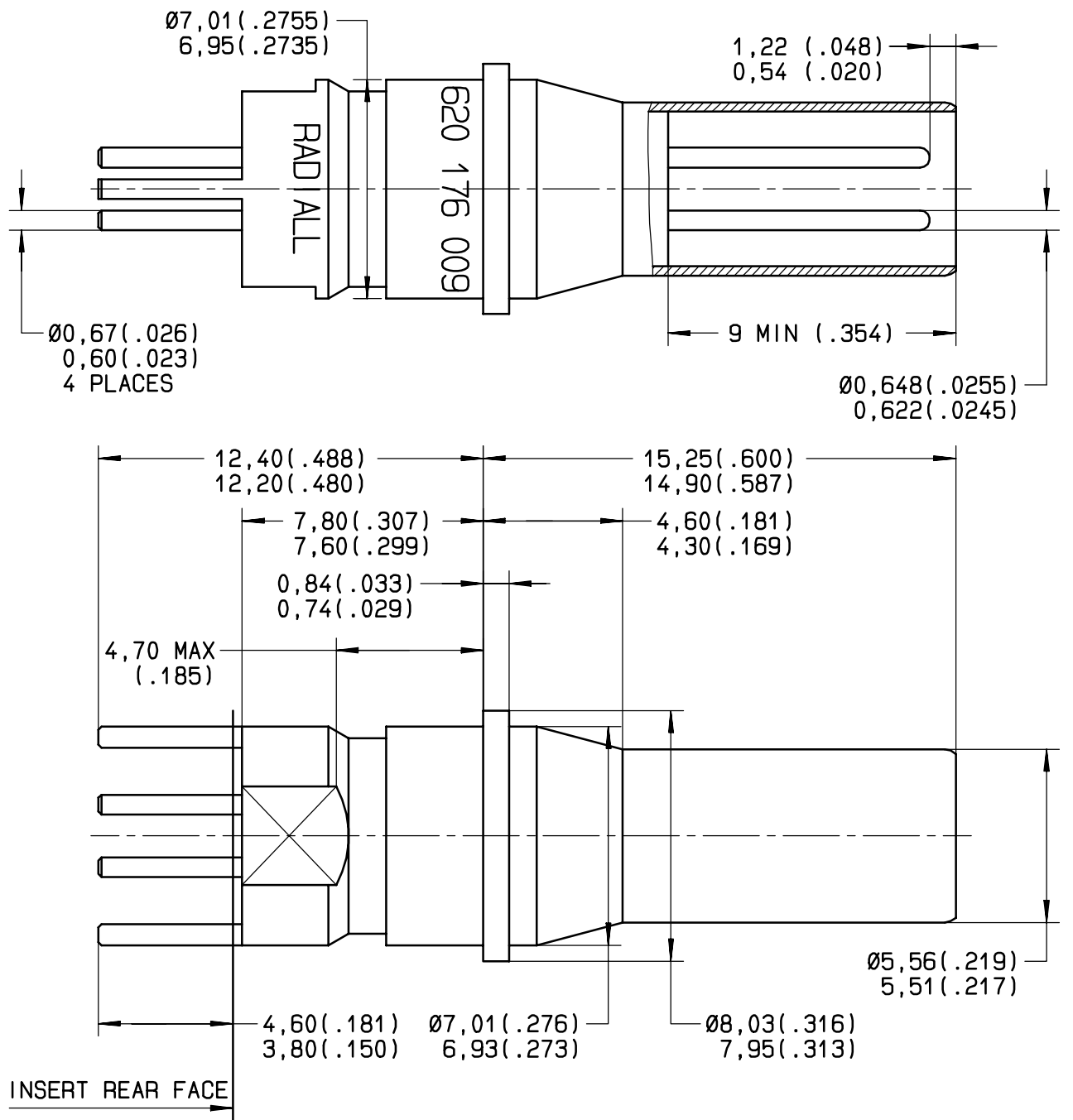


Series  
NSX

SIZE 8 FRONT RELEASE. FRONT REMOVABLE  
PC POST PIN QUADRAX CONTACT

Issue:  
07 MARCH 02

Page  
1 / 1



\*MATERIAL:

- OUTER CONTACT: BRASS PER QQ-B-626
- CENTER CONTACT: BODY LEADED NICKEL COPPER (C97)
- DIELECTRICS: FPTE PER ASTM-D-1710 OR EQUIVALENT

\*FINISH:

- ALL METAL PARTS:  
PLATING .00005 INCH OF GOLD PER MIL-G-45204 TYPE I OR II  
GRADE C OR D CLASS 1 OVER NICKEL PER QQ-N-290

\*EXTRACTION TOOL:

- RADIALL P/N: 282 549 009

This information is given as an indication. In the continual goal to improve our products, we reserve the right to make any modifications judged necessary.

4112-9610

CREATION	.	.	.	.
PEN: M010400026B	.	.	.	.
NOM: MACARI	.	.	.	.
DATE: 26 NOV.01	.	.	.	.
APPR.: DUPUIS	07 MAR 02	UPDATED	COUTHON	.
Issue	Revisions		Name	Approved

620176009